

THIS DRAWING IS UNPUBLISHED. RELEASED FOR PUBLICATION  
 © COPYRIGHT - By - ALL RIGHTS RESERVED.

LOC		DIST		REVISIONS			
AD	00	P	LTR	DESCRIPTION	DATE	DWN	APVD
		B2		REVISED PER ECO-11-004587	11MAR11	RK	HMR



FIG 1



CONTENT ARRANGEMENT

1. FOR ADDITIONAL SPECIFICATIONS SEE AMP PRODUCT SPEC 108-7519.
2. SWITCH SHOWN IN OPEN POSITION.
3. ALL CHARACTERS AND ROCKERS ARE WHITE, HOUSING IS BLACK.
4. STAMPING WILL VARY ON 2 AND 3 POSITION TOPS DUE TO SPACE RESTRICTIONS.
5. STRIPPABLE TRANSPARENT SEAL, SEE FIG 6.
6. .315 DIMENSION APPLIES AT TERMINAL TIPS. TERMINALS ARE .300±.010 AT MOUNTING SURFACE.
7. NO POSITION MARKING.
8. NO PART NO. MARKING.
9. STRIPPABLE TAPE SEAL, SEE FIGURE 8.
10. ALL MATERIALS AND FINISHES SHALL COMPLY WITH EU DIRECTIVE 2002/95/EC OF 27JAN2003 (ROHS)
11. MATERIAL: HOUSING AND ROCKERS - POLYESTER  
CONTACT & SOLDER LEAD - COPPER ALLOY
12. FINISH: CONTACT - GOLD OVER NICKEL  
SOLDER LEAD - TIN OVER NICKEL
13. OBSOLETE PARTS: OBSOLETE CIS STREAMLINING PER D.RENAUD/D.SINISI

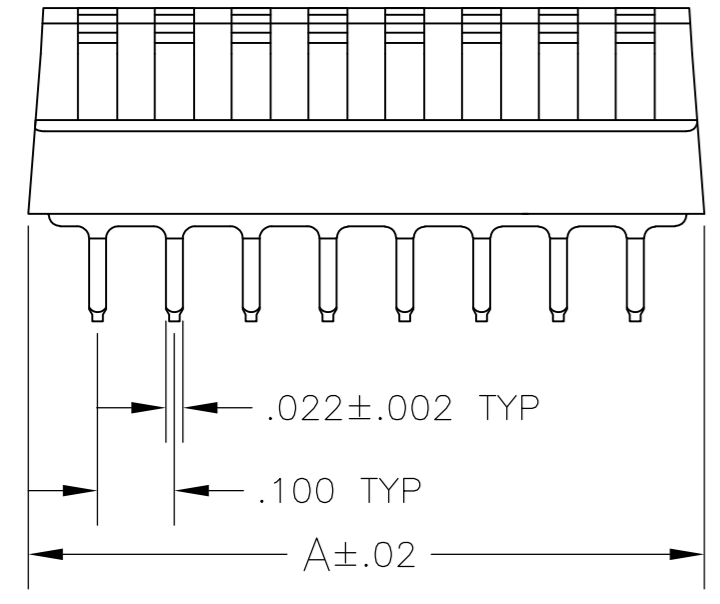
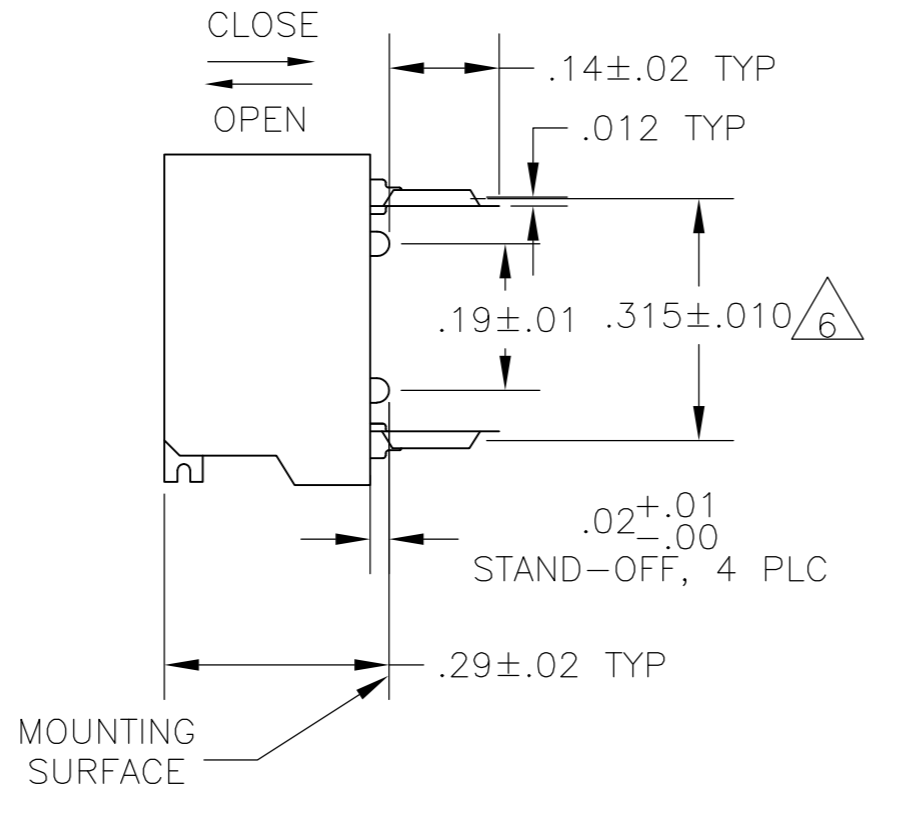


FIG 2

	FIG 2	FIG 3A& 7		1.08	10	6-5435802-3
	FIG 1	FIG 3B	9	.88	8	3-5435802-8
13	FIG 2	7 8	5	.88	8	3-5435802-0
	FIG 2	7 8	5	.48	4	2-5435802-9
	FIG 2	FIG 3A	5	1.28	12	2-5435802-2
	FIG 2			1.18	11	2-5435802-1
	FIG 2			1.08	10	2-5435802-0
	FIG 2			.98	9	1-5435802-9
	FIG 2			.78	7	1-5435802-8
	FIG 2			.68	6	1-5435802-7
	FIG 2			.58	5	1-5435802-6
	FIG 2			.48	4	1-5435802-5
	FIG 2	FIG 3A	8	.48	4	1-5435802-5
	FIG 2	FIG 3A	8	1.28	12	1-5435802-2
	FIG 1	8		.28	2	1-5435802-0
	FIG 2	FIG 3A	5	.88	8	5435802-9
	FIG 2			1.08	10	5435802-8
	FIG 2			.98	9	5435802-7
13	FIG 2			.78	7	5435802-6
	FIG 2			.68	6	5435802-5
	FIG 2			.58	5	5435802-4
	FIG 2			.48	4	5435802-3
	FIG 2			.38	3	5435802-2
	FIG 2	FIG 3A	8	.88	8	5435802-1
	HOUSING	MARKING	PROT-ECTIVE SEAL	A	NO OF POSN	PART NO

5435802-1 SHOWN

THIS DRAWING IS A CONTROLLED DOCUMENT.

DIMENSIONS: INCHES	TOLERANCES UNLESS OTHERWISE SPECIFIED:	DWN R. TALLEY 19-9-89		NAME
		CHK R. MILLER 19-9-89		SWITCH ASSY, DIP, TYPE C, 7000 SERIES, SPST, SIDE ACTUATED
		APVD H. LEITER 19-9-89		SIZE CAGE CODE DRAWING NO RESTRICTED TO
		PRODUCT SPEC		A2 00779 C=5435802
MATERIAL	FINISH	APPLICATION SPEC	WEIGHT	SCALE SHEET REV
			CUSTOMER DRAWING	4:1 1 of 2 B2

THIS DRAWING IS UNPUBLISHED. RELEASED FOR PUBLICATION  
 © COPYRIGHT - By - ALL RIGHTS RESERVED.

LOC	DIST	REVISIONS			
P	LTR	DESCRIPTION	DATE	DWN	APVD
AD	00	SEE SHEET 1	-	-	-



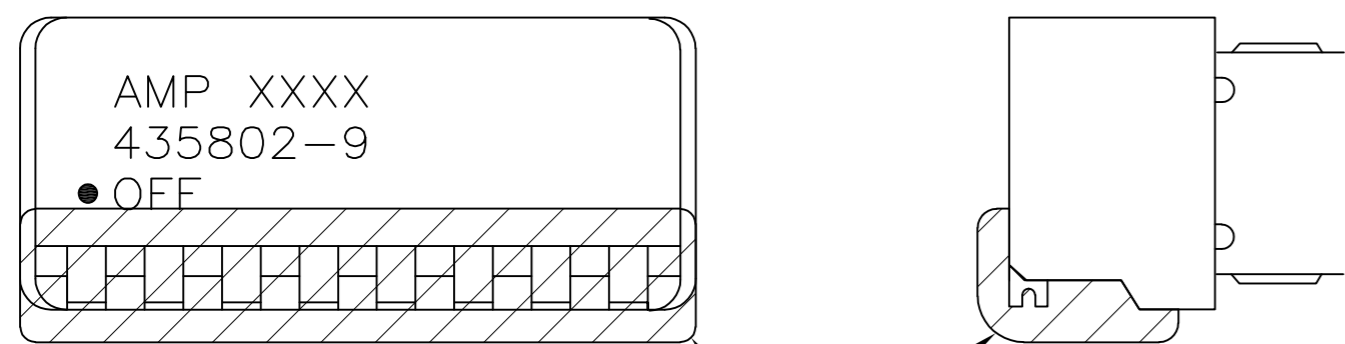
FIG 3A



FIG 3B

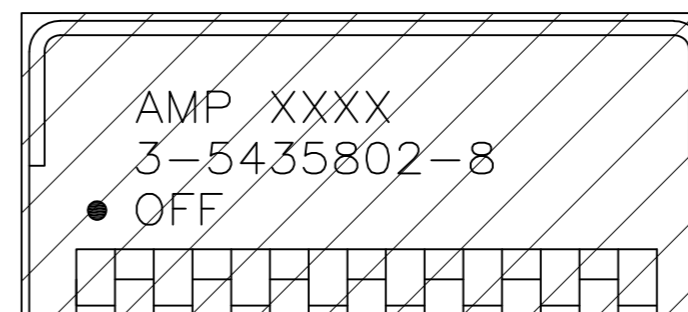


FIG 4



PROTECTIVE SEAL

FIG 6



PROTECTIVE SEAL

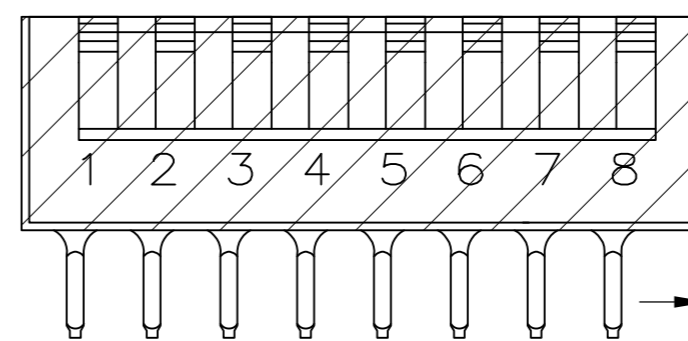


FIG 8

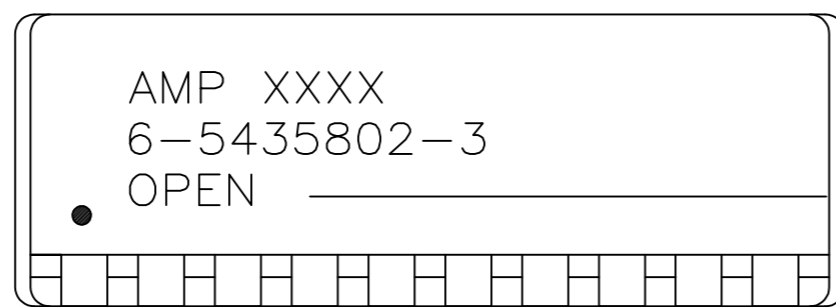


FIG 7

THIS DRAWING IS A CONTROLLED DOCUMENT.		DWN R. TALLEY 19-9-89																				
DIMENSIONS: INCHES		CHK R. MILLER 19-9-89																				
TOLERANCES UNLESS OTHERWISE SPECIFIED:		APVD H. LEITER 19-9-89	NAME SWITCH ASSY, DIP, TYPE C, 7000 SERIES, SPST, SIDE ACTUATED																			
<table border="1"> <tr><td>0 PLC</td><td>±</td><td>-</td></tr> <tr><td>1 PLC</td><td>±</td><td>-</td></tr> <tr><td>2 PLC</td><td>±</td><td>-</td></tr> <tr><td>3 PLC</td><td>±</td><td>.005</td></tr> <tr><td>4 PLC</td><td>±</td><td>-</td></tr> <tr><td>ANGLES</td><td>±</td><td>-</td></tr> </table>		0 PLC	±	-	1 PLC	±	-	2 PLC	±	-	3 PLC	±	.005	4 PLC	±	-	ANGLES	±	-	PRODUCT SPEC -	SIZE A2	CAGE CODE 00779
0 PLC	±	-																				
1 PLC	±	-																				
2 PLC	±	-																				
3 PLC	±	.005																				
4 PLC	±	-																				
ANGLES	±	-																				
MATERIAL SEE SHEET 1		FINISH SEE SHEET 1	DRAWING NO C=5435802	RESTRICTED TO -																		
		WEIGHT -	SCALE 4:1	SHEET 2 of 2																		
		CUSTOMER DRAWING	REV B2																			